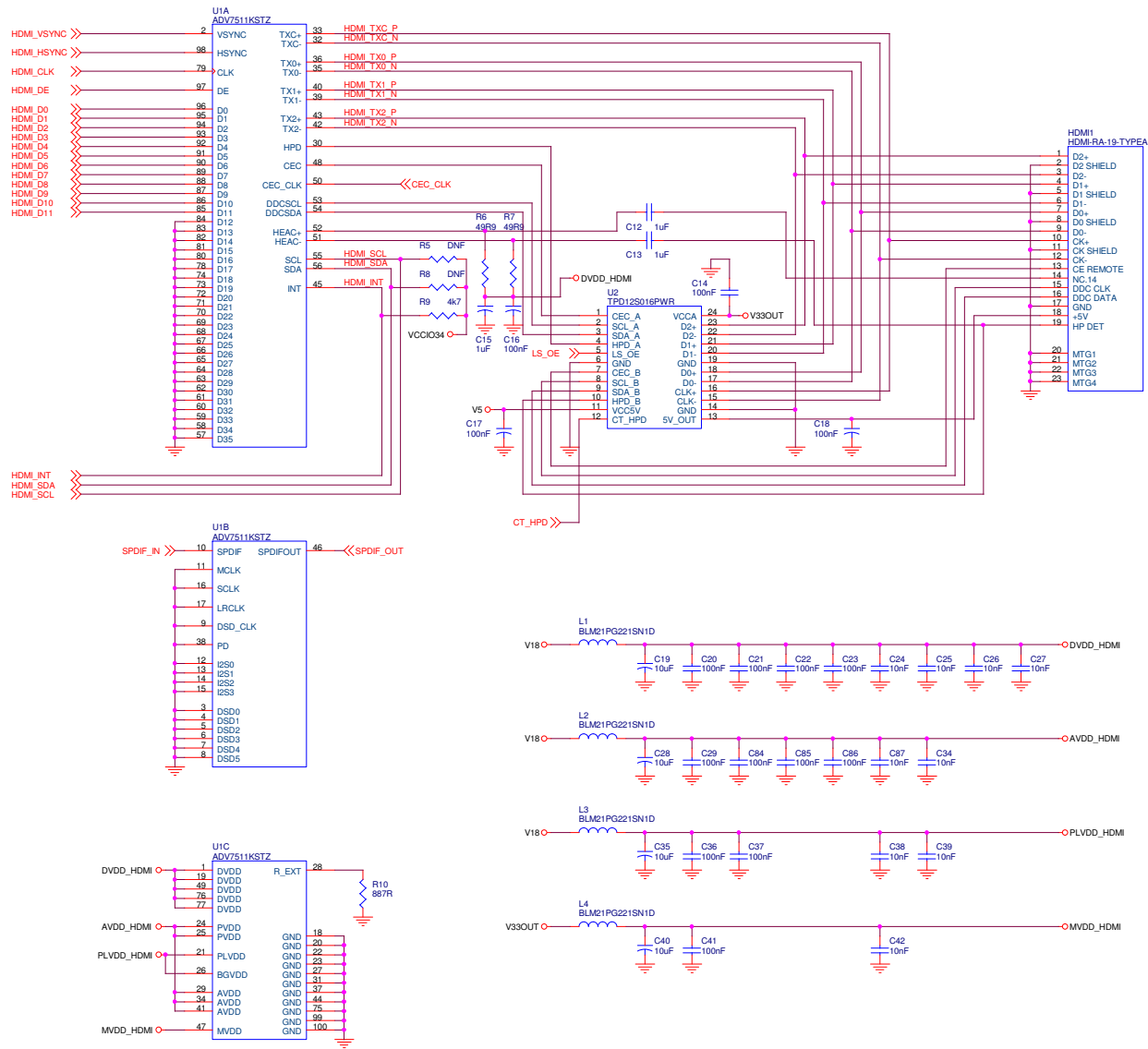


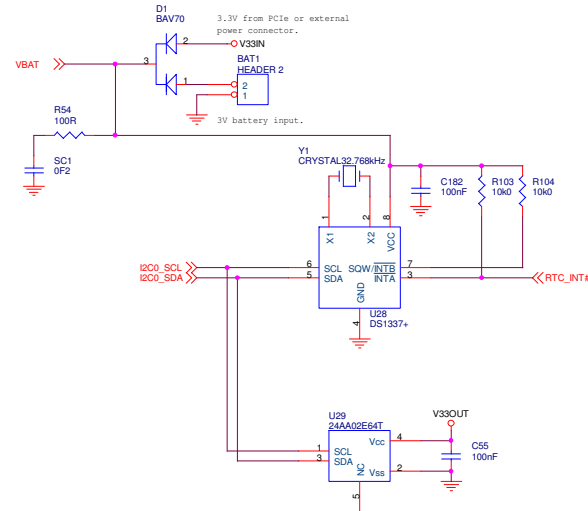
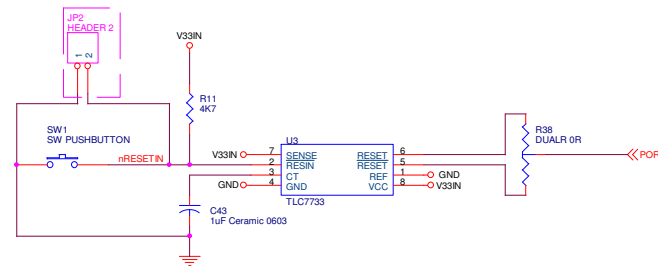
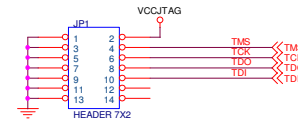
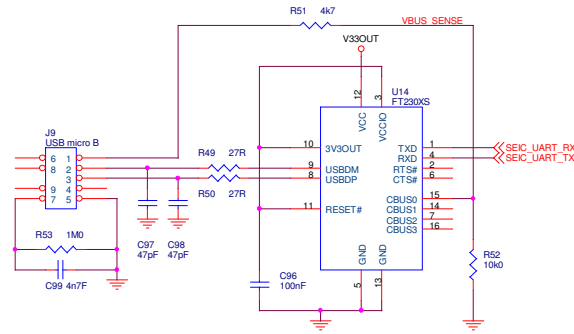
© 2017 Sundance Multiprocessor Technology Ltd.
 This documentation describes Open Hardware and is licensed under the CERN OHL v. 1.2. (<http://ohwr.org/cernohl>).
 This documentation is distributed WITHOUT ANY EXPRESS OR IMPLIED WARRANTY, INCLUDING OF
 MERCHANTABILITY, SATISFACTORY QUALITY AND FITNESS FOR A PARTICULAR PURPOSE.
 Please see the CERN OHL v. 1.2. for applicable conditions.

File		
EMC2-DP - Ethernet		
Size	Document Number	Rev
C	<Doc>	1
Date:	Tuesday, February 16, 2016	Sheet 1 of 13



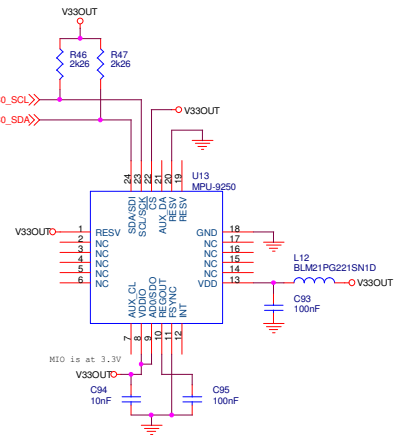
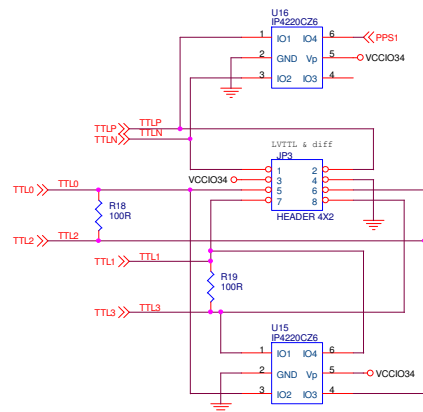
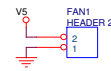
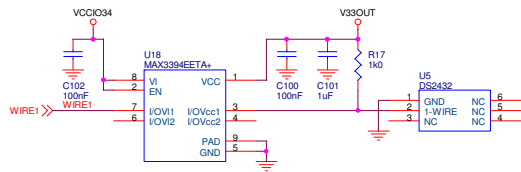
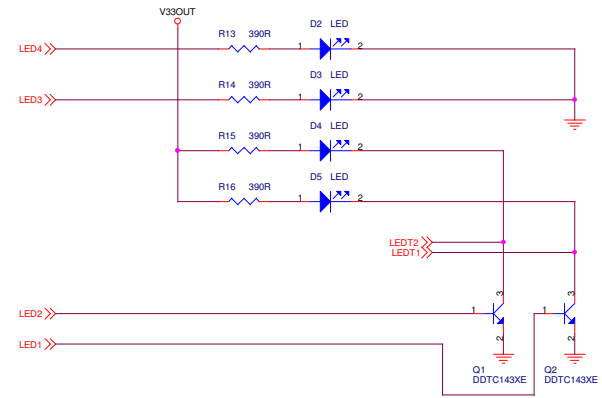
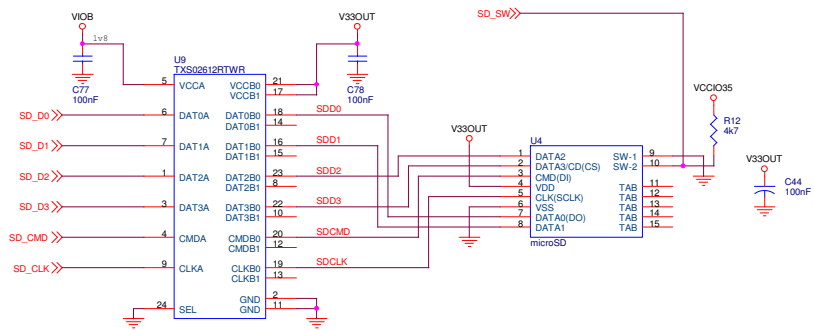
© 2017 Sundance Multiprocessor Technology Ltd.
 This documentation describes Open Hardware and is licensed under the CERN OHL v. 1.2. (<http://ohwr.org/cernohl>).
 This documentation is distributed WITHOUT ANY EXPRESS OR IMPLIED WARRANTY, INCLUDING OF
 MERCHANTABILITY, SATISFACTORY QUALITY AND FITNESS FOR A PARTICULAR PURPOSE.
 Please see the CERN OHL v. 1.2. for applicable conditions.

File		
EMC2-DP - HDMI		
Size	Document Number	Rev
C	<Doc>	1
Date:	Tuesday, February 16, 2016	Sheet 3 of 13



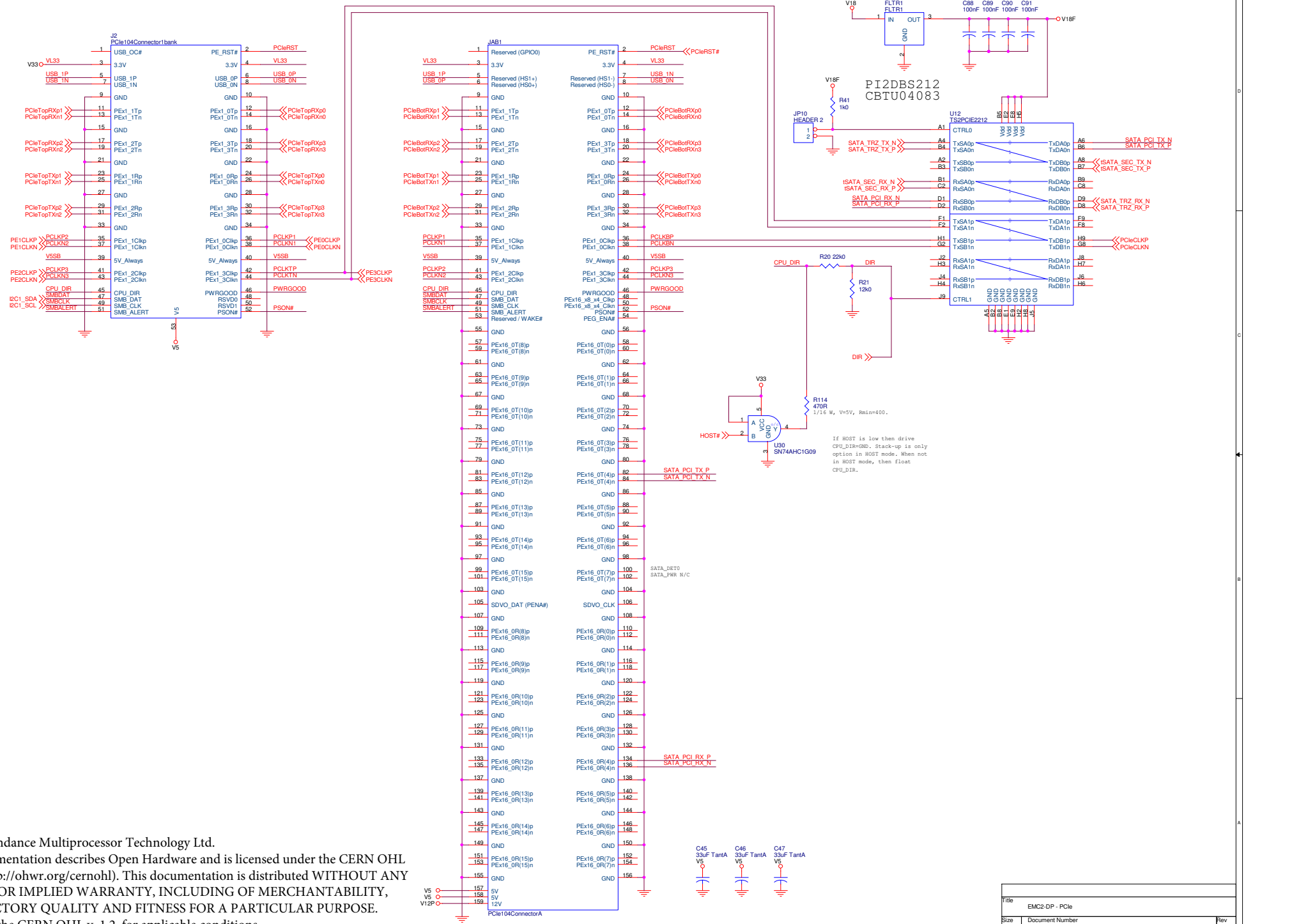
© 2017 Sundance Multiprocessor Technology Ltd.
 This documentation describes Open Hardware and is licensed under the CERN OHL v. 1.2. (<http://ohwr.org/cernohl>).
 This documentation is distributed WITHOUT ANY EXPRESS OR IMPLIED WARRANTY, INCLUDING OF
 MERCHANTABILITY, SATISFACTORY QUALITY AND FITNESS FOR A PARTICULAR PURPOSE.
 Please see the CERN OHL v. 1.2. for applicable conditions.

File		
EMC2-DP - JTAG/RST/BAT/MAC		
Size	Document Number	Rev
C	<Doc>	1
Date:	Tuesday, February 16, 2016	Sheet 4 of 13



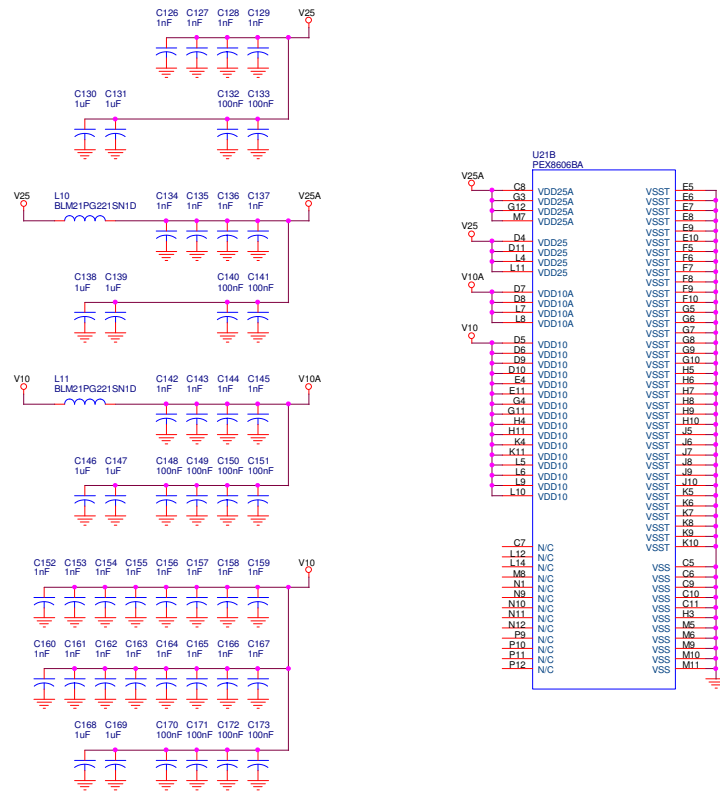
© 2017 Sundance Multiprocessor Technology Ltd.
 This documentation describes Open Hardware and is licensed under the CERN OHL v. 1.2. (<http://ohwr.org/cernohl>).
 This documentation is distributed WITHOUT ANY EXPRESS OR IMPLIED WARRANTY, INCLUDING OF
 MERCHANTABILITY, SATISFACTORY QUALITY AND FITNESS FOR A PARTICULAR PURPOSE.
 Please see the CERN OHL v. 1.2. for applicable conditions.

File	EMC2-DP - Misc.	
Size	Document Number	Rev
C	<Doc>	1
Date:	Tuesday, February 16, 2016	Sheet 5 of 13



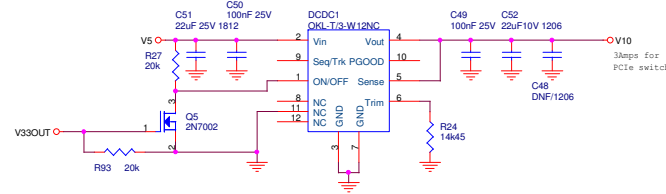
© 2017 Sundance Multiprocessor Technology Ltd.
 This documentation describes Open Hardware and is licensed under the CERN OHL v. 1.2. (<http://ohwr.org/cernohl>). This documentation is distributed WITHOUT ANY EXPRESS OR IMPLIED WARRANTY, INCLUDING OF MERCHANTABILITY, SATISFACTORY QUALITY AND FITNESS FOR A PARTICULAR PURPOSE. Please see the CERN OHL v. 1.2. for applicable conditions.

Title		
EMC2-DP - PCIe		
Size	Document Number	Rev
C	<Doc>	1
Date:	Tuesday, February 16, 2016	Sheet 6 of 13

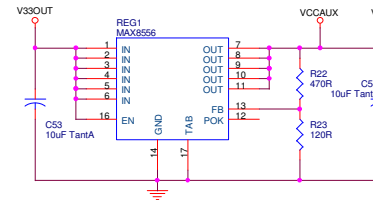


© 2017 Sundance Multiprocessor Technology Ltd.
 This documentation describes Open Hardware and is licensed under the CERN OHL v. 1.2. (<http://ohwr.org/cernohl>).
 This documentation is distributed WITHOUT ANY EXPRESS OR IMPLIED WARRANTY, INCLUDING OF
 MERCHANTABILITY, SATISFACTORY QUALITY AND FITNESS FOR A PARTICULAR PURPOSE.
 Please see the CERN OHL v. 1.2. for applicable conditions.

File		
EMC2-DP - PCIe Switch Power		
Size	Document Number	Rev
C	<Doc>	1
Date:	Tuesday, February 16, 2016	Sheet 8 of 13



V33out goes high when Trenz module has switched the 3.3v pass-thru on. Then Q2 turns on and the DCDC ON/OFF goes low (negative logic variant). The PCIe switch will then be powered up.

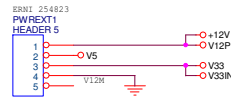


$$R22 = R23 * (2.5V/0.5V - 1)$$

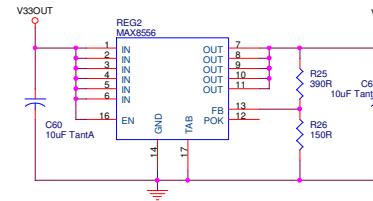
$$R22/R23 = 4$$

When the EMC2 is an add-in card there is always a supply of +5 and +3v3 from the 1-bank or 3-bank connectors. When using the 1-bank connector, an external +12v source is required.

When the EMC2 is a host board, then external power must be supplied for +12v, +5v and +3v3.



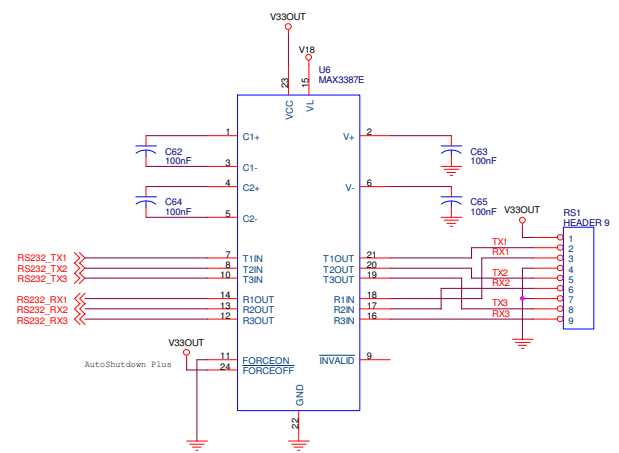
The +3v3 (or v33in) is sent to the Trenz module and switched to provide v33out to power EMC2 board devices. The Trenz module also requires +5v for its on-board DCDCs.



$$R25 = R26 * (1.8V/0.5V - 1)$$

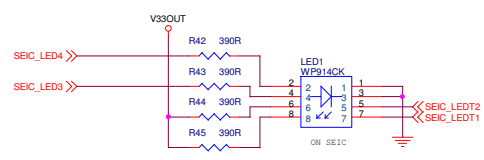
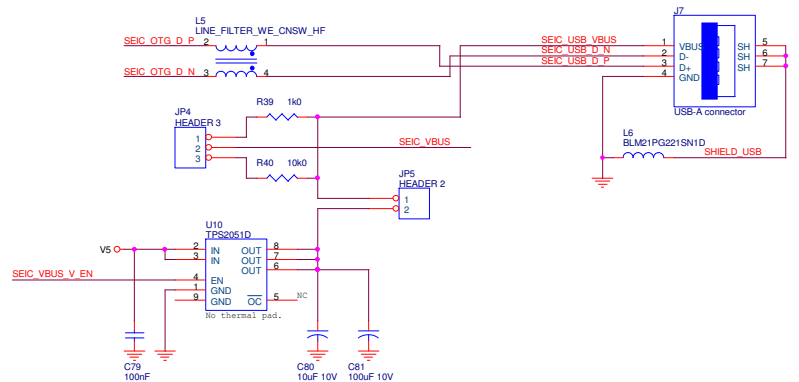
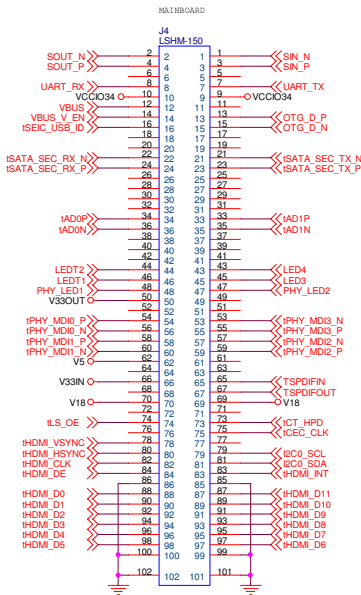
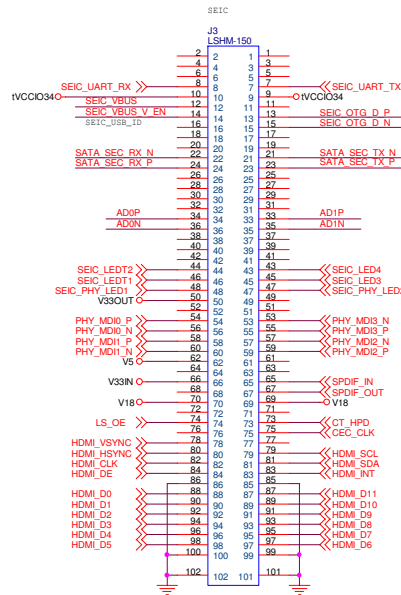
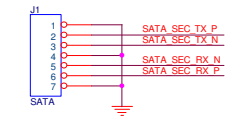
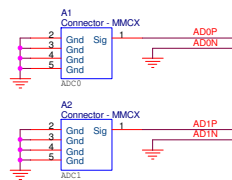
$$R25/R26 = 2.6$$

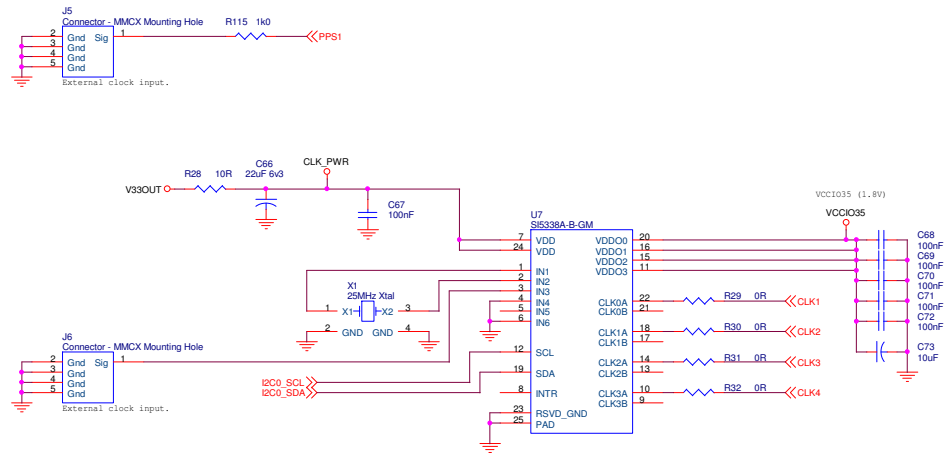
Title		
EMC2-DP - Power Supply		
Size	Document Number	Rev
C	<Doc>	1
Date:	Tuesday, February 16, 2016	Sheet 9 of 13



© 2017 Sundance Multiprocessor Technology Ltd.
 This documentation describes Open Hardware and is licensed under the CERN OHL v. 1.2. (<http://ohwr.org/cernohl>).
 This documentation is distributed WITHOUT ANY EXPRESS OR IMPLIED WARRANTY, INCLUDING OF
 MERCHANTABILITY, SATISFACTORY QUALITY AND FITNESS FOR A PARTICULAR PURPOSE.
 Please see the CERN OHL v. 1.2. for applicable conditions.

File		EMC2-DP - RS232	
Size	C	Document Number	<Doc>
Date:	Tuesday, February 16, 2016	Sheet	10 of 13
		Rev	1





© 2017 Sundance Multiprocessor Technology Ltd.
 This documentation describes Open Hardware and is licensed under the CERN OHL v. 1.2. (<http://ohwr.org/cernohl>).
 This documentation is distributed WITHOUT ANY EXPRESS OR IMPLIED WARRANTY, INCLUDING OF
 MERCHANTABILITY, SATISFACTORY QUALITY AND FITNESS FOR A PARTICULAR PURPOSE.
 Please see the CERN OHL v. 1.2. for applicable conditions.

File		EMC2-DP - Clock
Size	Document Number	Rev
C	<Doc>	1
Date:	Tuesday, February 16, 2016	Sheet 12 of 13

